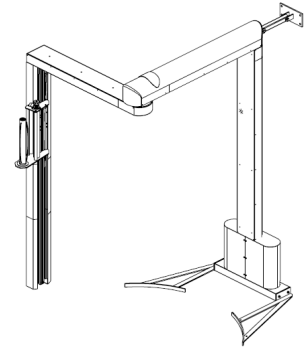


**TECHNICAL DATA / GIROTEC WT3 2000**

<b>Capacity:</b>	<b>15-25 pallets/hour (depending on goods wrapped)</b>
<b>Max wrapping height:</b>	<b>2000 mm</b>
<b>Rotation speed:</b>	<b>11 rpm</b>
<b>Power supply:</b>	<b>220-240v(50Hz)</b>
<b>Overall dimensions</b>	<b>W/L/H 2320x2920x2400mm</b>
<b>Machine weight:</b>	<b>190 kg</b>
<b>Max pallet dimensions:</b>	<b>1200x1200x2000mm (1000kg)</b>



**Allowed operating conditions :**

**Temperature +5C° +40C° at max relative humidity of 76%**

**Short description:**

**Machine should be fixed to the wall.**

