

OCTOPUS JUNIOR



Fully automatic stretch film wrapping machine for pallet loads

OCTOPUS JUNIOR

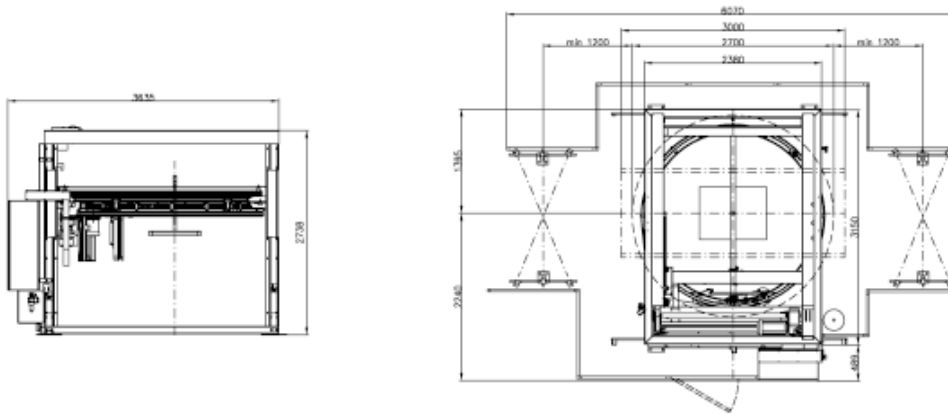
EFFECTIVE AND ECONOMICAL SOLUTION FOR PALLET WRAPPING

Octopus Junior reliability and operations build on 20 years of experience and continuous product development with this ring-type wrapping machine.

Octopus Junior wraps product pallets in the best possible and most economical way using for example single, double or band wrapping. It wraps different sizes and types of pallets without the need to change wrapping parameters (e.g. Chep, Euro, 1/2 and 1/4 pallets) – different pallet types can be fed into the machine in mixed order.

The Octopus Junior film carriage is equipped with a power pre-stretch device. Wrapping tension up against the product remains as set whatever the size or shape of the load. Separate starting, wrapping and finishing tensions in the wrapping process mean trouble-free production. Octopus Junior is equipped with an automatic sealing and cutting device.

The machine works as an independent wrapping station or integrates easily into an automatic wrapping line. The user can select wrapping programs with an external signal. Details such as wrapping method, quantity for top and bottom layers and overlapping can be defined in the wrapping program.



Technical specification

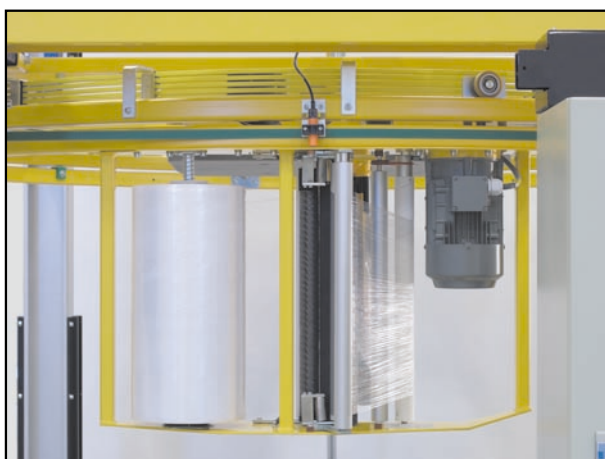
Capacity: up to 50 pallets/hour
- depending on pallet height, wrapping program and conveyor speed

Load dimensions (mm):
Max. pallet height: 2400 (on 500 mm high conveyor)
Max. pallet diagonal: 1800
Transport dimensions (mm): 3900 x 2500 x 2860 (L x W x H)
1500 kg

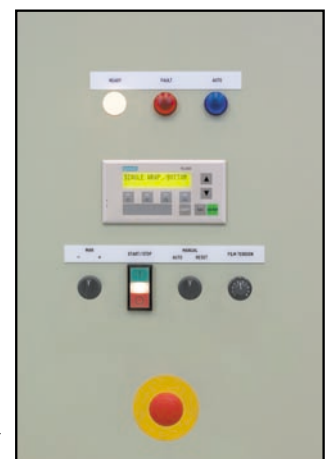
Stretch film reel
Width: 500 mm
Max. diameter: 300 mm
Core diameter: 76 mm
Stretch film thickness: 17 – 30 µm

Max. power requirement: 5.0 kW
Voltage: 3x380 VAC/50 Hz, 3x400 VAC/50 Hz, 3x415 VAC/50 Hz

Control Voltage: 24 VDC
Compressed air: 0.6 Mpa, 9 l/cycle
Noise level: < 74 dB (A)



The Power Pre Stretch film carriage feeds the film evenly with a pre-stretch factor up to 300 %. Stepless adjustable secondary stretching ensures optimum wrapping of a wide range of products.



User friendly control panel.

The company reserves the right to make technical changes without prior notification. The machine is illustrated without guarding for sales purposes.

Ref. 13GB 9/2003